

Digimatic Carbon Fiber Caliper

SERIES 552 — with optional jaw attachments

ABSOLUTE®
Absolute System Patented by MITUTOYO

SPC

IP66

FEATURES

- Lightweight Digimatic Calipers that employ CFRP (Carbon Fiber Reinforced Plastics) in the beam and jaws.
- Highly durable and easy to handle.
- The range of applications can be expanded by using the optional attachments.
- Direct readout of ID measurements from the LCD. (Offset value can be set easily by pressing the Offset key.)
- Preset function for setting a desired starting point.
- With SPC data output.
- Special model available with ceramic jaws which are suitable for measuring abrasive and magnetic products.
- Supplied in fitted wooden case.

Technical Data

Accuracy: Refer to the list of specifications.
Resolution: .0005"/0.01mm or 0.01mm
Display: LCD
Length standard: Electrostatic capacitance type linear encoder
Max. response speed: unlimited
Battery: SR44 (1 pc.), **938882**
Battery life: Approx. 3,000 hours in continuous use



SPECIFICATIONS

Metric				
Range*	Order No.	Accuracy	Resolution	Remarks
0(20)-450mm	552-302-10	+/-0.04mm	0.01mm	
0(20)-450mm	552-150-10	+/-0.06mm	0.01mm	long jaws 200mm
0(20)-450mm	552-155-10	+/-0.04mm	0.01mm	ceramic jaws
0(20)-600mm	552-303-10	+/-0.04mm	0.01mm	
0(20)-600mm	552-151-10	+/-0.06mm	0.01mm	long jaws 200mm
0(20)-600mm	552-156-10	+/-0.04mm	0.01mm	ceramic jaws
0(20)-1000mm	552-304-10	+/-0.05mm	0.01mm	
0(20)-1000mm	552-152-10	+/-0.07mm	0.01mm	long jaws 200mm
0(20)-1500mm	552-305-10	+/-0.09mm	0.01mm	
0(20)-1500mm	552-153-10	+/-0.11mm	0.01mm	long jaws 200mm
0(20)-2000mm	552-306-10	+/-0.12mm	0.01mm	
0(20)-2000mm	552-154-10	+/-0.14mm	0.01mm	long jaws 200mm

*(): Minimum dimension in ID measurement

Inch/Metric				
Range*	Order No.	Accuracy	Resolution	Remarks
0(.5")-18"	552-312-10	+/- .002"	.0005"/0.01mm	
0(.5")-18"	552-160-10	+/- .0025"	.0005"/0.01mm	long jaws 7.9"
0(.5")-18"	552-165-10	+/- .002"	.0005"/0.01mm	ceramic jaws
0(.5")-24"	552-313-10	+/- .002"	.0005"/0.01mm	
0(.5")-24"	552-161-10	+/- .0025"	.0005"/0.01mm	long jaws 7.9"
0(.5")-24"	552-166-10	+/- .002"	.0005"/0.01mm	ceramic jaws
0(1")-40"	552-314-10	+/- .002"	.0005"/0.01mm	
0(1")-40"	552-162-10	+/- .003"	.0005"/0.01mm	long jaws 7.9"
0(1")-60"	552-315-10	+/- .004"	.0005"/0.01mm	
0(1")-60"	552-163-10	+/- .0045"	.0005"/0.01mm	long jaws 7.9"
0(1")-80"	552-316-10	+/- .005"	.0005"/0.01mm	
0(1")-80"	552-164-10	+/- .0055"	.0005"/0.01mm	long jaws 7.9"

*(): Minimum dimension in ID measurement

Function

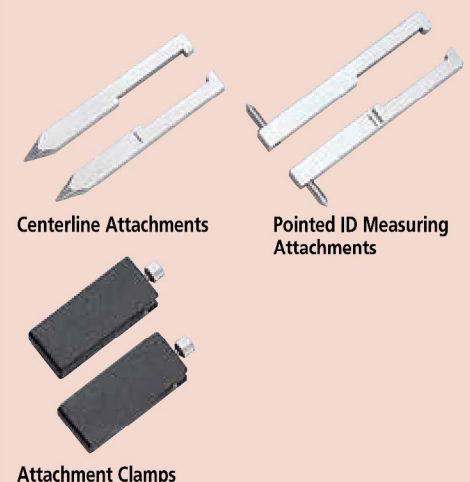
Origin-set, Zero-setting, Presetting, Offsetting, Data hold, Data output, inch/mm conversion (on inch/metric models only)
Alarm: Low voltage, Counting value composition error

Optional Accessories

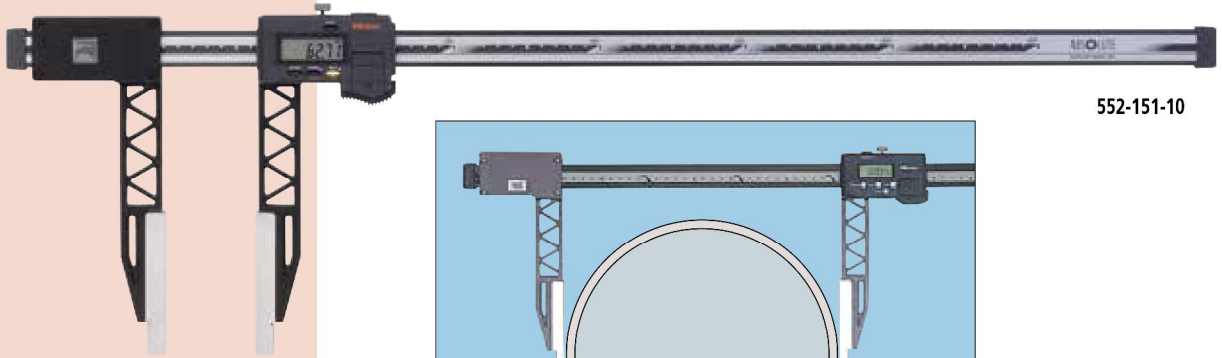
05CZA624: SPC cable with data switch (40"/1m)
05CZA625: SPC cable with data switch (80"/2m)

914055: Centerline attachments (mm)*
914056: Centerline attachments (inch)*
914057: Pointed ID measuring attachments (mm)*
914058: Pointed ID measuring attachments (inch)*
914053: Attachment clamps (for models up to 24" / 600mm range)
914054: Attachment clamps (for models over 24" / 600mm range)

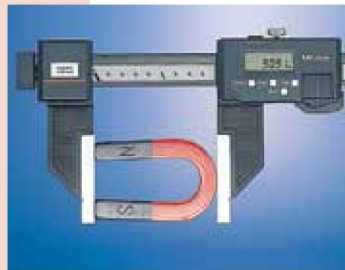
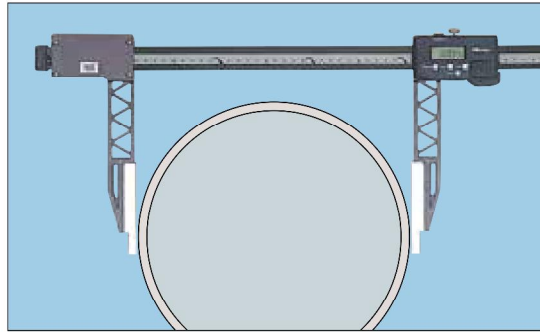
* Attachment clamps are required and not available for long jaw type.



Attachment Clamps



552-151-10



Ceramic jaws



Centerline attachments



ID point attachments

DIMENSIONS AND MASS

